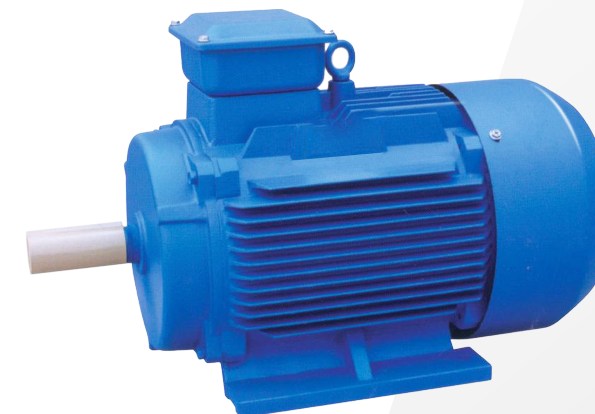


SHANGHAI PUMPING TECH
INTERNATIONAL CO.,LTD



2024



YE2/3 SERIES HIGH EFFICIENCY MOTOR



YE2/3 PRODUCT INTRODUCTION

- Main Characteristics 01
- Typical Application 02
- Operating Condition 03
- Technical Parameter 04



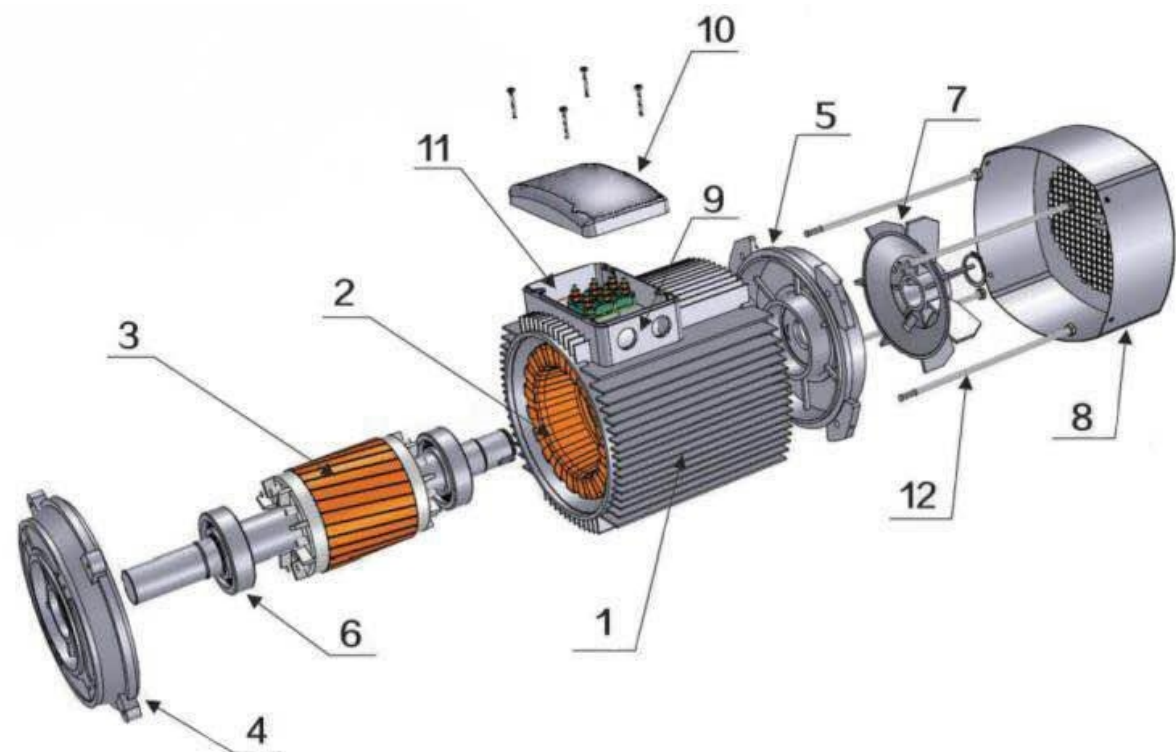
MAIN OFFICE

ADD: Building A, No.4288 Hutai Road,
Baoshan District, Shanghai, China
E-mail: infor@aikonchina.com
Cell: 021-66695537

<http://aikonchina.com/>

— INNOVATION TECHNOLOGY QUALITY —

Motor Explode View



- | | |
|------------------|------------------------|
| 1. Frame B14, B5 | 7. Cooling Fan |
| 2. Wound Stator | 8. Cooling Fan Cover |
| 3. Rotor | 9. Terminal Box |
| 4. Front Shield | 10. Terminal Box Cover |
| 5. Back Shield | 11. Terminal Board |
| 6. Bearing | 12. Bolts |

MATERIAL CONSTRUCTION OF MOTOR

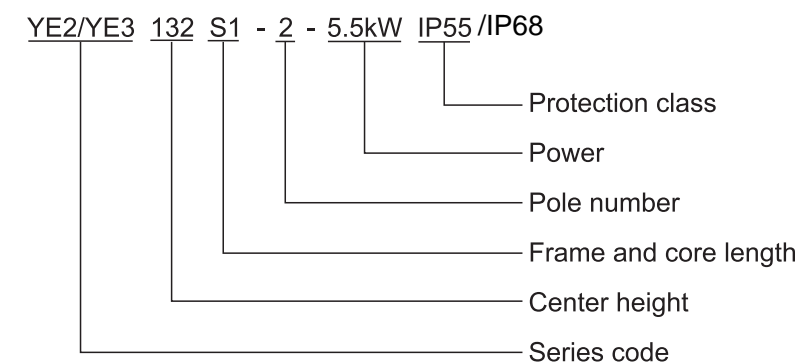
Stator Frame	Aluminum alloy /cast iron
End shield	Aluminum alloy /cast iron
Flanged end shield	Aluminum alloy /cast iron
Fan Cover	Mild Steel
Shaft	Stainless steel SS202/SS304/SS316/SS420
Fan	Industrial nylon grade
Bearing	Stainless steel SS202/SS304/SS316/SS420
Rotor Aluminum	Aluminum alloy /cast iron
Terminal box	Cast iron/Mild Steel /Stainless Steel SS202/SS304/SS316/SS420

Mounting Arrangement

Basic structure pattern	B3					
Installation pattern	B3	B6	B7	B8	V5	V6
Diagram						
Frame No.	80~355	80~160				

Basic structure pattern	B5			B35		
Installation pattern	B5	V1	V3	B35	V15	V36
Diagram						
Frame No.	80~225	80~355	80~160	80~355	80~160	

Nomenclature



Definition:

YE2 series high efficiency motor

For Example: YE2-160M2-2-15kW represent center height of the frame is 160mm, frame length is M, core length code 2, 2 pole, 15kW.

YE3 series premium efficiency

For Example: YE3-132S1-2-5.5kW represent center height of the frame is 132mm, frame length is S, core length code 1, 2 pole, 5.5kW.

YE2 Series High Efficiency Motor

1. Main Characteristics

YE2 Series High Efficiency motor(H80-355) is a kind of squirrel cage low-voltage three-phase asynchronous motor which is basic series for general use. YE2 series motors have the advantages of high efficiency, energy-saving, good performance, low noise ,small vibration.high reliability ,convenient maintenance and big breakaway torque . Efficiency can meet the Level 3 requirement of GB18613-2012 ,also satisfy IEC60034-30 IE2 requirement ,mounting dimensions and rated power are completely conform to IEC/DIN standards. It employs class F insulation,IP55 protection and IC411 cooling mode .

2. Typical Application

YE2 series high efficiency motor can used for driving different kinds of general machinery without special requirement,such as agricultural machinery, food machinery ,blower, pump, gear box, reducer.blender and air compressor etc.

3. Operating Condition

Ambient temperature: -15~+45 °C

Altitude: not exceeding 1000m above sea level.

Working Mode: S1 (Continuous)

Voltage: 380~415V

Frequency: 50Hz(60Hz Special Request)

Insulation Class: Class F, the temperature rise not exceed 80°C

Protection class: IP55/68

Cooling method: IC411

Temperature contro:PT100

4. Technical Parameter

Type	Current (A)	Power		Speed (rpm)	Efficiency (%)	P.F (cosφ)	Locked Torque Rated Torque Tsn/Tn	Lockde Current Rated Current Isn/In	Max Torque Rated Torque Tmax/Tn	Weight Kg
		KW	HP							

Synchronous speed 3000rpm,380V 50Hz 2P

Y2-71M1-2	0.99	0.37	0.5	2730	70.0	0.81	2.2	6.1	2.2	6.5
Y2-71M2-2	1.4	0.55	0.75	2760	73.0	0.82	2.2	6.1	2.2	7.5
YE2-80M1-2	1.77	0.75	1	2875	77.4	0.83	2.3	6.8	2.3	10
YE2-80M2-2	2.53	1.1	1.5	2875	79.6	0.83	2.3	7.3	2.3	10.5
YE2-90S-2	3.34	1.5	2	2890	81.3	0.84	2.3	7.6	2.3	15.5
YE2-90L-2	4.73	2.2	3	2890	83.2	0.85	2.3	7.8	2.3	18
YE2-100L-2	6.19	3	4	2890	84.6	0.87	2.3	7.8	2.3	24.5
YE2-112M-2	8.05	4	5.5	2900	85.8	0.88	2.3	8.3	2.3	31.5
YE2-132S1-2	10.9	5.5	7.5	2925	87.0	0.88	2.2	8.3	2.3	42.5
YE2-132S2-2	14.5	7.5	10	2925	88.1	0.89	2.2	8.3	2.3	47.5
YE2-160M1-2	21	11	15	2940	89.4	0.89	2.2	7.9	2.3	105
YE2-160M2-2	28.4	15	20	2940	90.3	0.89	2.2	7.9	2.3	115
YE2-160L-2	34.7	18.5	25	2940	90.9	0.89	2.2	7.9	2.3	135
YE2-180M-2	41.1	22	30	2955	91.3	0.89	2.2	8.1	2.3	171
YE2-200L1-2	55.7	30	40	2960	92.0	0.89	2.2	7.5	2.3	222
YE2-200L2-2	68.3	37	50	2960	92.5	0.89	2.2	7.5	2.3	245
YE2-225M-2	82.7	45	60	2960	92.9	0.89	2.2	7.6	2.3	296
YE2-250M-2	100.7	55	75	2970	93.2	0.89	2.2	7.6	2.3	375
YE2-280S-2	136.5	75	100	2975	93.8	0.89	1.8	6.9	2.3	498
YE2-280M-2	163.3	90	120	2975	94.1	0.89	1.8	6.9	2.3	567
YE2-315S-2	196.9	110	150	2975	94.3	0.90	1.8	7.0	2.2	956
YE2-315M-2	235.6	132	180	2975	94.6	0.90	1.8	7.0	2.2	1017
YE2-315L1-2	281.8	160	215	2975	94.8	0.91	1.8	7.1	2.2	1120
YE2-315L2-2	351.5	200	270	2975	95.0	0.91	1.8	7.1	2.2	1150
YE2-355M2-2	439.4	250	335	2980	95.0	0.91	1.6	7.1	2.2	1948
YE2-355L2-2	553.6	315	420	2980	95.0	0.91	1.6	7.2	2.2	2355

Type	Current (A)	Power		Speed (rpm)	Efficiency (%)	P.F (cosφ/l)	Locked Torque Rated Torque Tsn/Tn	Lockde Current Rated Current Isn/In	Max Torque Rated Torque Tmax/Tn	Weight Kg
		KW	HP							

Synchronous speed 1500rpm,380V 50Hz 4P

YE2-71M2-4	1.12	0.37	0.5	1330	67	0.75	2.1	5.2	2.2	14
YE2-80M1-4	1.57	0.55	0.75	1380	71	0.75	2.2	6.0	2.3	15
YE2-80M2-4	1.88	0.75	1	1420	79.6	0.76	2.3	6.4	2.3	18
YE2-90S-4	2.67	1.1	1.5	1430	81.4	0.77	2.3	6.8	2.3	22
YE2-90L-4	3.53	1.5	2	1430	82.8	0.78	2.3	6.8	2.3	27
YE2-100L1-4	4.96	2.2	3	1445	84.3	0.80	2.2	7.4	2.3	34
YE2-100L2-4	6.58	3	4	1445	85.5	0.81	2.2	7.4	2.3	38
YE2-112M-4	8.56	4	5.5	1450	86.6	0.82	2.3	7.5	2.3	44
YE2-132S-4	11.6	5.5	7.5	1460	87.7	0.82	2.1	7.4	2.3	62
YE2-132M-4	15.5	7.5	10	1460	88.7	0.83	2.1	7.4	2.3	73
YE2-160M-4	22.2	11	15	1470	89.8	0.84	2.1	7.5	2.3	120
YE2-160L-4	29.9	15	20	1470	90.6	0.84	2.1	7.5	2.3	139
YE2-180M-4	35.8	18.5	25	1470	91.2	0.86	2.2	7.6	2.3	176
YE2-180L-4	42.4	22	30	1470	91.6	0.86	2.2	7.8	2.3	199
YE2-200L-4	57.4	30	40	1475	92.3	0.86	2.2	7.1	2.3	257
YE2-225S-4	70.5	37	50	1480	92.7	0.86	2.2	7.3	2.3	312
YE2-225M-4	85.4	45	60	1480	93.1	0.86	2.2	7.3	2.3	350
YE2-250M-4	103.9	55	75	1480	93.5	0.86	2.2	7.3	2.3	425
YE2-280S-4	139.3	75	100	1485	94	0.87	2.2	6.9	2.3	585
YE2-280M-4	165	90	125	1485	94.2	0.88	2.2	6.9	2.3	640
YE2-315S-4	198.7	110	150	1485	94.5	0.89	2.1	6.9	2.2	900
YE2-315M-4	238	132	180	1485	94.7	0.89	2.1	6.9	2.2	1000
YE2-315L1-4	284.6	160	215	1485	94.9	0.90	2.1	6.9	2.2	1030
YE2-315L2-4	355	200	270	1485	95.1	0.90	2.1	6.9	2.2	1150
YE2-355M2-4	443.8	250	335	1490	95.1	0.90	2.0	6.9	2.2	1945
YE2-355L2-4	559.2	315	420	1490	95.1	0.90	2.0	6.9	2.2	2350

Type	Current (A)	Power		Speed (rpm)	Efficiency (%)	P.F (cosφ/l)	Locked Torque Rated Torque Tsn/Tn	Lockde Current Rated Current Isn/In	Max Torque Rated Torque Tmax/Tn	Weight Kg
		KW	HP							

Synchronous speed 1000rpm,380V 50Hz 6P

YE2-80M1-6	1.26	0.37	0.5	850	62.0	0.70	1.9	4.7	2.0	15
YE2-80M2-6	1.74	0.55	0.75	850	65.0	0.72	1.9	4.7	2.1	16
YE2-90S-6	2.11	0.75	1	940	75.9	0.71	2.0	5.9	2.1	25
YE2-90L-6	2.97	1.1	1.5	940	78.1	0.72	2.0	5.9	2.1	27
YE2-100L-6	3.86	1.5	2	945	79.8	0.74	2.0	5.5	2.1	32
YE2-112M-6	5.52	2.2	3	955	81.8	0.74	2.0	6.0	2.1	50
YE2-132S-6	7.6	3	4	965	83.3	0.72	2.0	7.0	2.1	59
YE2-132M1-6	9.7	4	5.5	965	84.6	0.74	2.0	7.0	2.1	83
YE2-132M2-6	13	5.5	7.5	965	86.0	0.75	2.0	7.0	2.1	95
YE2-160M-6	16.8	7.5	10	970	87.2	0.78	2.0	7.0	2.1	110
YE2-160L-6	23.9	11	15	970	88.7	0.79	2.0	7.0	2.1	139
YE2-180L-6	31.4	15	20	975	89.7	0.81	2.0	7.2	2.1	182
YE2-200L1-6	38.4	18.5	25	980	90.4	0.80	2.0	7.1	2.1	236
YE2-200L2-6	45.4	22	30	980	90.9	0.81	2.0	7.1	2.1	230
YE2-225M-6	61.4	30	40	980	91.7	0.81	2.0	7.1	2.1	317
YE2-250M-6	72.6	37	55	980	92.2	0.84	2.0	7.1	2.1	298
YE2-280S-6	86.8	45	60	980	92.7	0.85	2.0	7.1	2.1	515
YE2-280M-6	104.4	55	75	980	93.1	0.86	2.0	7.1	2.1	560
YE2-315S-6	141.1	75	100	980	93.7	0.86	2.0	7.0	2.1	910
YE2-315M-6	169	90	120	980	94.0	0.86	2.0	7.0	2.1	1005
YE2-315L1-6	206	110	150	980	94.3	0.86	2.0	7.0	2.1	1060
YE2-315L2-6	243	132	180	980	94.6	0.87	2.0	7.0	2.1	1205
YE2-355M1-6	291	160	215	985	94.8	0.88	2.0	7.0	2.1	1850
YE2-355M2-6	363	200	270	985	95.0	0.88	2.0	7.0	2.1	1930
YE2-355L-6	454	250	335	985	95.0	0.88	2.0	7.0	2.1	2050

YE3 Series Premium Efficiency Motor

1. Main Characteristics

YE3 Series premium efficiency motor(H80-225) is new developed high-efficiency energy-saving 3-phase asynchronous motor. This series meet Level 2 energy-efficiency requirement of GB18613- 2012 , correspond to IEC60034-30 IE3 requirement. Mounting dimension is same with YE2 series ,efficiency increased nearly 2.7% in average .YE3 series motors have the advantages of rational construction ,elegant appearance,high efficiency, 3 series motors have the advantages of rational construction ,elegant appearance,high efficiency, low noise and high reliability. It employs class F insulation,IP55 protection and IC411cooling mode.

2. Typical Application

YE3 series motor can used for general purpose general machinery without special requirement, such as metal cutting machine, compressors, ventilators, pumps, ect. Other uses such as petrol chemical, medical, chemical industries and mining.

3. Operating Condition

Ambient Temperature: -15-45

Altitude: not exceeding 1 000m above sea level.

Working Mode: S1 (Continuous)

Output:0.75kW-315kW

Voltage: 380~415V

Frequency: 50Hz(60Hz Special Request)

Insulation Class: Class F, the temperature rise not exceed 80°C

Protection Class: IP55/68

Cooling Method: IC411

Temperature contro:PT100

4. Technical Parameter

Type	Current (A)	Power		Speed (rpm)	Efficiency (%)	P.F (cosφ)	Locked Torque Rated Torque Tsn/Tn	Lockde Current Rated Current Isn/In	Max Torque Rated Torque Tmax/Tn	Weight Kg
		KW	HP							
Synchronous speed 2900rpm,380V 50Hz 2P										
YE3-80-M1-2	1.7	0.75	1	2865	80.7	0.82	2.3	7.0	2.3	10
YE3-80M2-2	2.43	1.1	1.5	2870	82.7	0.83	2.2	7.3	2.3	11.5
YE3-90S-2	3.25	1.5	2	2880	84.2	0.84	2.2	7.6	2.3	16.5
YE3-90L-2	4.57	2.2	3	2880	85.9	0.85	2.2	7.6	2.3	19.6
YE3-100L-2	5.94	3	4	2890	87.1	0.87	2.2	7.8	2.3	28.5
YE3-112M-2	7.83	4	5.5	2900	88.1	0.88	2.2	8.3	2.3	35
YE3-132S1-2	10.6	5.5	7.5	2920	89.2	0.88	2.0	8.3	2.3	50.5
YE3-132S2-2	14.4	7.5	11	2920	90.1	0.88	2.0	7.9	2.3	58.5
YE3-160M1-2	20.4	10	15	2945	91.2	0.89	2.0	8.1	2.3	117
YE3-160M2-2	27.2	15	20	2945	91.9	0.89	2.0	8.1	2.3	132
YE3-160L-2	34.1	18.5	25	2945	92.4	0.89	2.0	8.2	2.3	140
YE3-180M-2	40.1	22	30	2955	92.7	0.89	2.0	8.2	2.3	193
YE3-200L1-2	54.8	30	40	2960	93.3	0.89	2.0	7.6	2.3	250
YE3-200L2-2	65.9	37	50	2960	93.7	0.89	2.0	7.6	2.3	270
YE3-225M-2	82.5	45	60	2965	94.0	0.90	2.0	7.7	2.3	364
YE3-250M-2	99.6	55	75	2970	94.3	0.90	2.0	7.7	2.3	404
YE3-280S-2	134	75	100	2975	94.7	0.90	1.8	7.1	2.3	540
YE3-280M-2	162	90	120	2975	95.0	0.90	1.8	7.1	2.3	560
YE3-315S-2	195	110	150	2975	95.2	0.90	1.8	7.1	2.3	975
YE3-315M-2	233	132	180	2975	95.4	0.90	1.8	7.2	2.3	1035
YE3-315L1-2	279.5	160	215	2980	95.6	0.91	1.8	7.2	2.3	1150
YE3-315L2-2	349	200	270	2980	95.8	0.91	1.6	7.2	2.2	1150
YE3-355M-2	431	250	335	2980	95.8	0.91	1.6	7.2	2.2	1948
YE3-355L-2	543	315	420	2980	95.8	0.91	1.6	7.2	2.2	2355

Type	Current (A)	Power		Speed (rpm)	Efficiency (%)	P.F (cosφ/)	Locked Torque Rated Torque Tsn/Tn	Lockde Current Rated Current Isn/In	Max Torque Rated Torque Tmax/Tn	Weight Kg
		KW	HP							

Synchronous speed 1500rpm,380V 50Hz 4P

YE3-80M2-4	1.86	0.75	1	1420	82.5	0.75	2.3	6.6	2.3	19
YE3-90S-4	2.68	1.1	1.5	1440	84.1	0.76	2.3	6.8	2.3	24
YE3-90L-4	3.61	1.5	2	1440	85.3	0.77	2.3	7	2.3	29
YE3-100L1-4	4.93	2.2	3	1440	86.7	0.81	2.3	7.6	2.3	35
YE3-100L2-4	6.66	3	4	1440	87.7	0.82	2.3	7.6	2.3	40
YE3-112M-4	8.56	4	5.5	1440	88.6	0.82	2.2	7.8	2.3	50
YE3-132S-4	11.6	5.5	7.5	1460	89.6	0.83	2.0	7.9	2.3	55
YE3-132M-4	15.3	7.5	10	1460	90.4	0.84	2.0	7.5	2.3	65
YE3-160M-4	22.3	11	15	1465	91.4	0.85	2.2	7.7	2.3	130
YE3-160L-4	30.1	15	20	1465	92.1	0.86	2.2	7.8	2.3	150
YE3-180M-4	36.1	18.5	25	1470	92.6	0.86	2.0	7.8	2.3	180
YE3-180L-4	42.3	22	30	1470	93.0	0.86	2.0	7.8	2.3	200
YE3-200L-4	56.5	30	40	1475	93.6	0.86	2.0	7.3	2.3	275
YE3-225S-4	69.5	37	50	1485	93.9	0.86	2.0	7.4	2.3	300
YE3-225M-4	83.2	45	60	1485	94.2	0.86	2.0	7.4	2.3	350
YE3-250M-4	101	55	75	1485	94.6	0.86	2.2	7.4	2.3	420
YE3-280S-4	138	75	100	1485	95.0	0.88	2.0	6.9	2.3	574
YE3-280M-4	165	90	120	1485	95.2	0.88	2.0	6.9	2.3	652
YE3-315S-4	199	110	150	1485	95.4	0.89	2.0	7.0	2.3	980
YE3-315M-4	238	132	180	1485	95.6	0.89	2.0	7.0	2.3	1055
YE3-315L1-4	288	160	215	1485	95.8	0.89	2.0	7.1	2.3	1115
YE3-315L2-4	360	200	270	1490	96.0	0.90	2.0	7.1	2.3	1230
YE3-355M-4	449	250	335	1490	96.0	0.90	2.0	7.1	2.3	1945
YE3-355L-4	567	315	420	1490	96.0	0.90	2.0	7.1	2.3	2350

Type	Current (A)	Power		Speed (rpm)	Efficiency (%)	P.F (cosφ/)	Locked Torque Rated Torque Tsn/Tn	Lockde Current Rated Current Isn/In	Max Torque Rated Torque Tmax/Tn	Weight Kg
		KW	HP							

Synchronous speed 1000rpm,380V 50Hz 6P

YE3-90S-6	2.03	0.75	1	935	78.9	0.71	2.0	6.6	2.1	27
YE3-90L-6	2.83	1.1	1.5	945	81.0	0.73	2.0	6.8	2.1	29
YE3-100L-6	3.78	1.5	2	950	82.5	0.73	2.0	7	2.1	42
YE3-112M-6	5.36	2.2	3	955	84.3	0.74	2.0	7.6	2.1	53
YE3-132S-6	7.2	3	4	965	85.6	0.74	2.0	7.6	2.1	79
YE3-132M1-6	9.46	4	5.5	965	86.8	0.74	2.0	7.8	2.1	86
YE3-132M2-6	12.7	5.5	7.5	965	88.0	0.75	2.0	7.9	2.1	98
YE3-160M-6	16.2	7.5	10	970	89.1	0.79	2.0	7.5	2.1	154
YE3-160L-6	23.1	11	15	970	90.3	0.80	2.0	7.7	2.1	170
YE3-180L-6	30.9	15	20	975	91.2	0.81	2.0	7.8	2.1	203
YE3-200L1-6	37.8	18.5	25	980	91.7	0.81	2.0	7.8	2.1	241
YE3-200L2-6	44.8	22	30	980	92.2	0.81	2.0	7.8	2.1	256
YE3-225M-6	59.1	30	40	980	92.9	0.83	2.0	7.3	2.1	322
YE3-250M-6	71.7	37	55	985	93.3	0.84	2.0	7.4	2.1	405
YE3-280S-6	86.2	45	60	985	93.7	0.85	2.0	7.4	2.0	521
YE3-280M-6	103.3	55	75	985	94.1	0.86	2.0	7.4	2.0	570
YE3-315S-6	143.4	75	100	985	94.6	0.84	2.0	6.9	2.0	941
YE3-315M-6	170.1	90	120	985	94.9	0.85	2.0	6.9	2.0	1021
YE3-315L1-6	206.8	110	150	985	95.1	0.85	2.0	7.0	2.0	1094
YE3-315L2-6	244.5	132	180	985	95.4	0.86	2.0	7.0	2.0	1216
YE3-355M1-6	295.7	160	215	990	95.6	0.86	1.8	7.1	2.0	1970
YE3-355M2-6	364.6	200	270	990	95.8	0.87	1.8	7.1	2.0	2160
YE3-355L-6	455.7	250	335	990	95.8	0.87	1.8	7.1	2.0	2380

Bearings

Frame Size	Driving End		Non-Driving End	
	2pole	4、6、8pole	2pole	4、6、8pole
71	6202ZZ	6202ZZ	6202ZZ	6202ZZ
80	6204ZZ	6204ZZ	6204ZZ	6204ZZ
90	6205ZZ/C3	6205ZZ/C3	6205ZZ/C3	6205ZZ/C3
100	6206ZZ/C3	6206ZZ/C3	6206ZZ/C3	6206ZZ/C3
112	6206ZZ/C3	6206ZZ/C3	6206ZZ/C3	6206ZZ/C3
132	6208ZZ/C3	6208ZZ/C3	6208ZZ/C3	6208ZZ/C3
160	6209ZZ/C3	6309ZZ/C3	6209ZZ/C3	6209ZZ/C3
180	6211C3	6311C3	6211C3	6211C3
200	6212C3	6312C3	6212C3	6212C3
225	6312C3	6313C3	6312C3	6312C3
250	6313C3	6314C3	6313C3	6313C3
280	6314C3	6317C3	6314C3	6314C3
315	6317C3	6319C3	6317C3	6319C3
355	6319C3	6322C3	6319C3	6322C3

Vibration

The effective values of the vibration velocity (i.e.the limits of vibration severity) of motors at no load should not exceed the values of class N specified in table below. Class R is available no request.

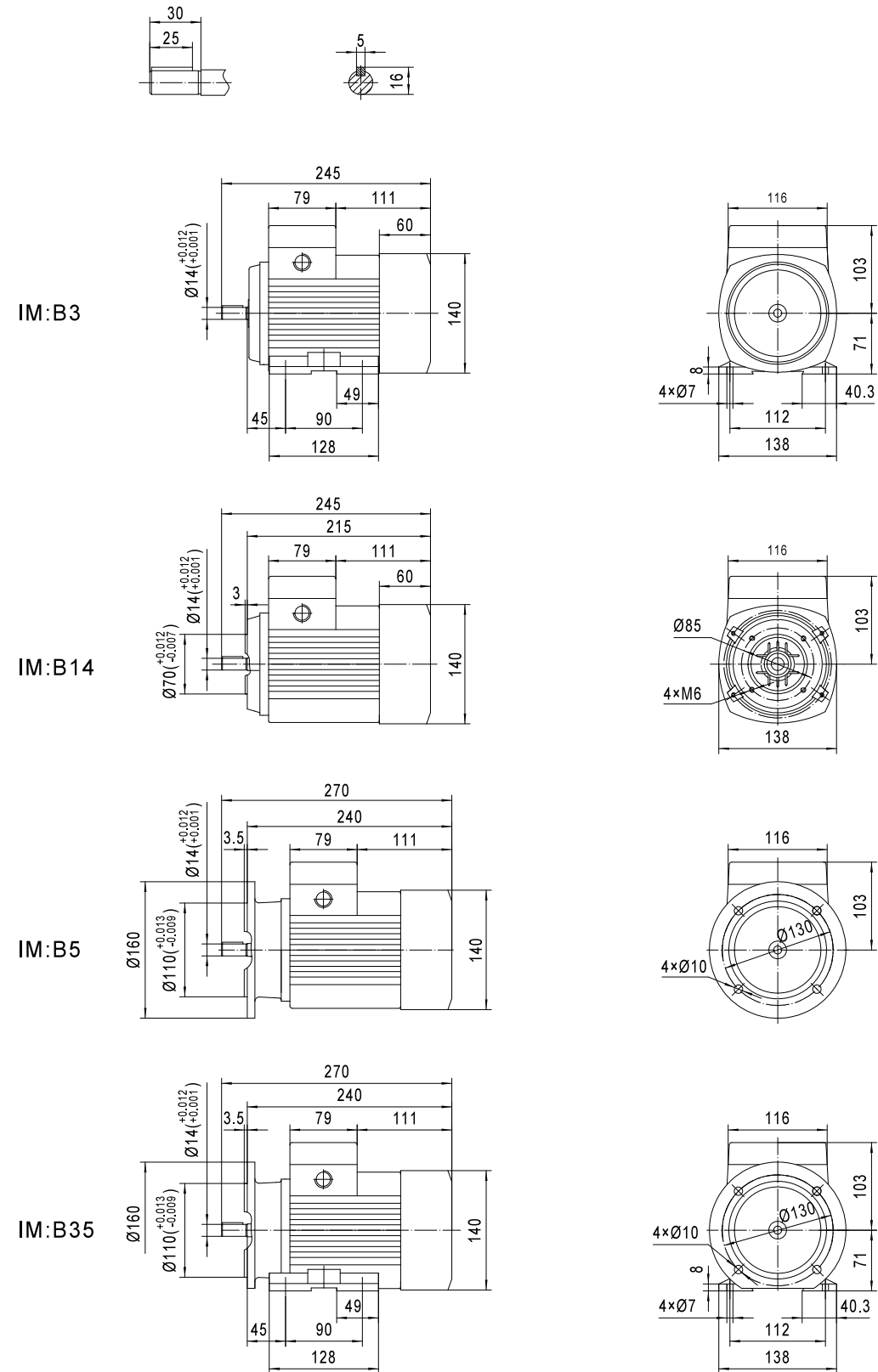
Frame Size	≤132		>132~225		>225~315	
	600~1800	>1800~3600	600~1800	>1800~3600	500~1800	>1800~3600
Synchronous speed						
Vibration Class	Effective Value of Vibration speed mm/s					
N	1.8		2.8		4.5	
R	0.71	1.12	1.12	1.80	1.80	2.80
S	0.45	0.71	0.71	1.12	1.12	1.80

Noise

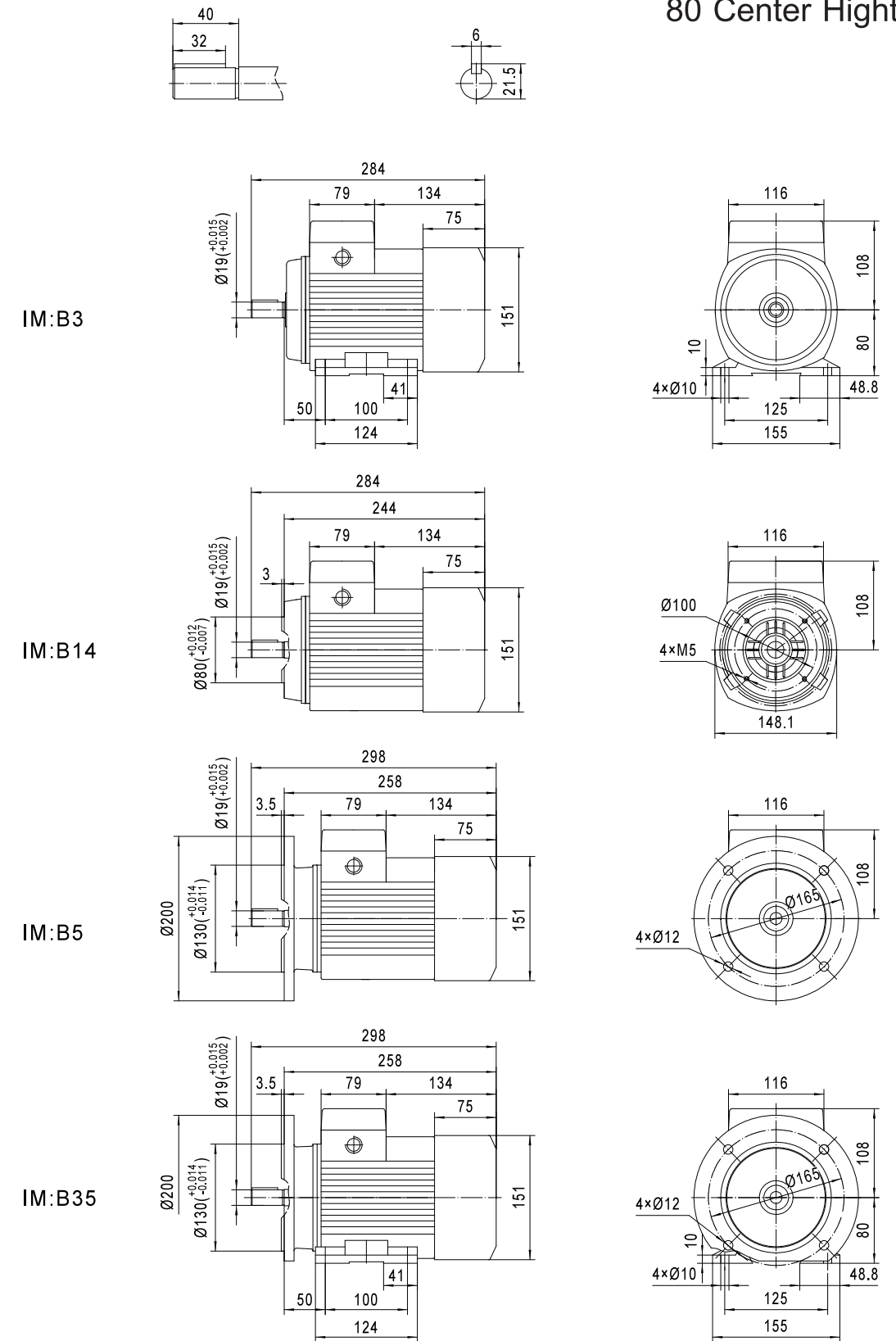
Please specify the required noise levels according to table below when ordering

Power	Synchronous speed rpm					
	3000		1500		1000	
	Sound power level Db (A)					
	No load	Load	No load	Load	No load	Load
0.37	64	66	55	60	54	64
0.55	64	66	58	63	54	64
0.75	67	69	58	63	57	67
1.1	67	69	61	66	57	67
1.5	72	74	61	66	61	72
2.2	72	74	64	69	64	72
3	76	78	64	69	69	76
4	77	79	65	70	69	77
5.5	80	82	71	76	69	80
7.5	80	82	71	76	73	80
11	86	88	75	80	73	86
15	86	88	75	79	73	86
18.5	86	88	76	80	76	86
22	89	91	76	80	76	89
30	92	94	79	83	76	92
37	92	94	81	85	78	92
45	92	94	81	84	80	92
55	93	85	83	86	80	93
75	94	96	86	89	85	94
90	94	96	86	89	85	94
110	96	98	93	96	85	96
132	96	98	93	96	85	96
160	99	101	97	100	92	99
200	99	101	97	100	92	99
250	103	105	101	104	92	103

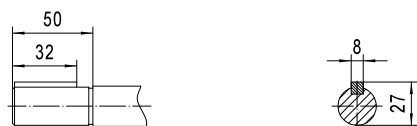
71 Center Hight



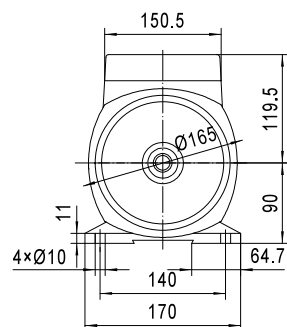
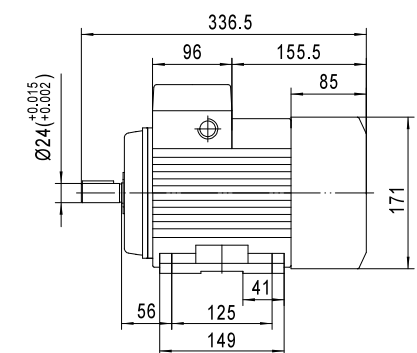
80 Center Hight



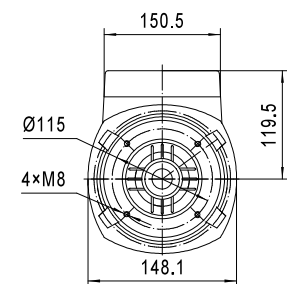
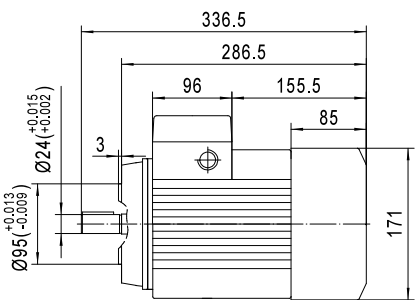
90 Center Hight



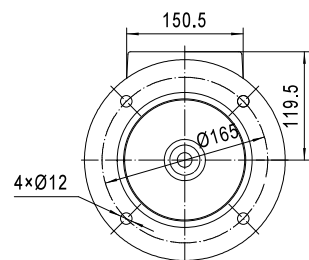
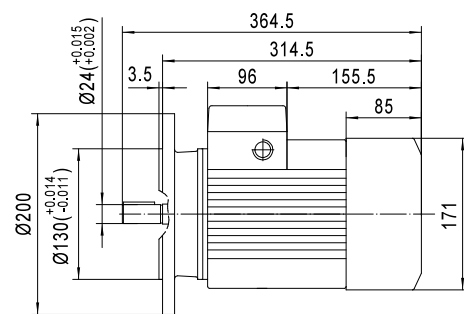
IM:B3



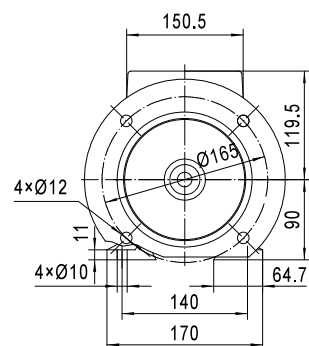
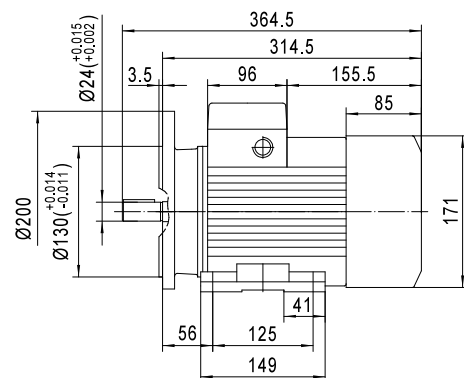
IM:B14



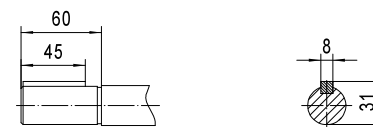
IM:B5



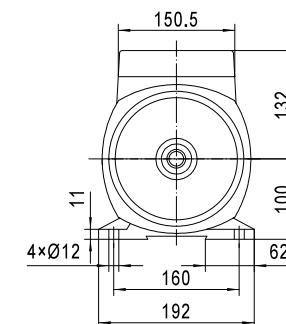
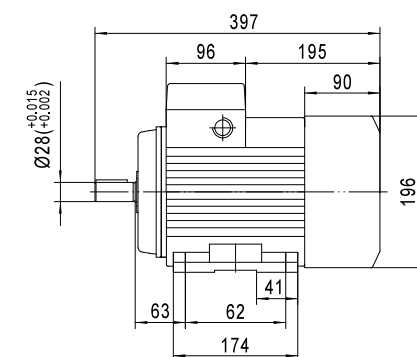
IM:B35



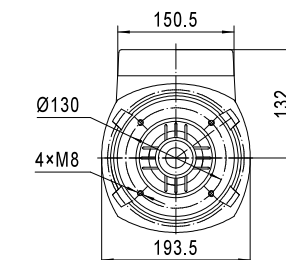
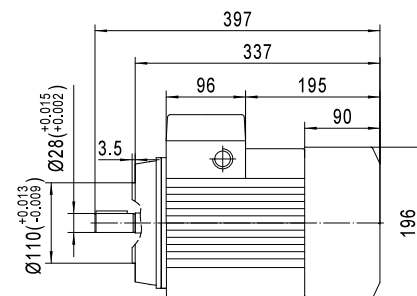
100 Center Hight



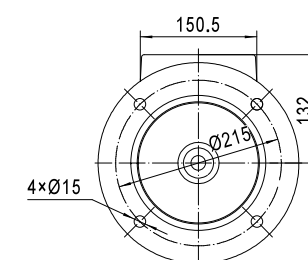
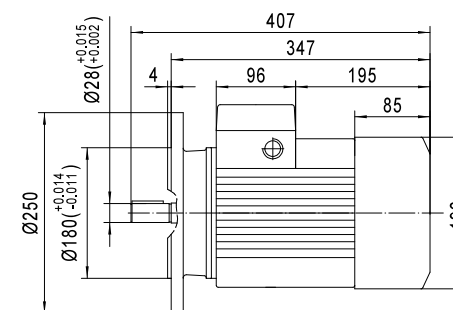
IM:B3



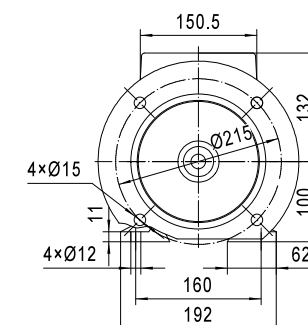
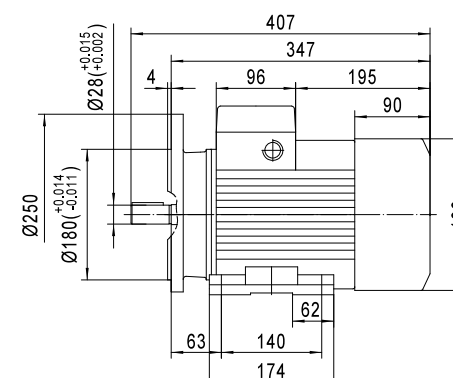
IM:B14

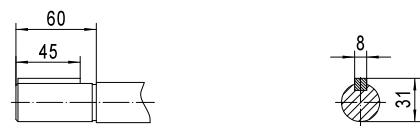


IM:B5



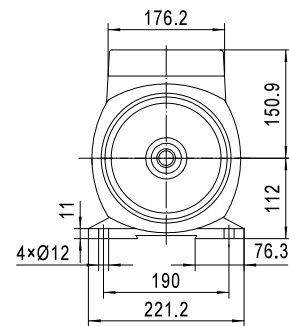
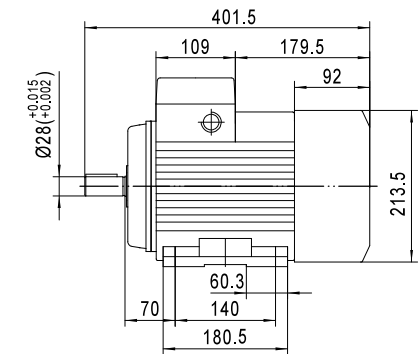
IM:B35



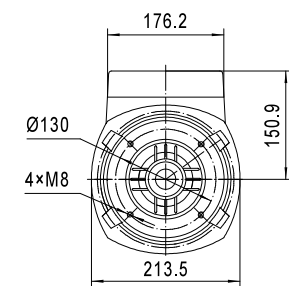
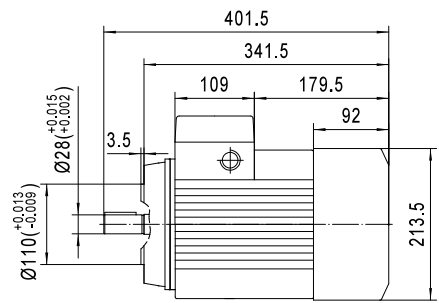


112 Center Height

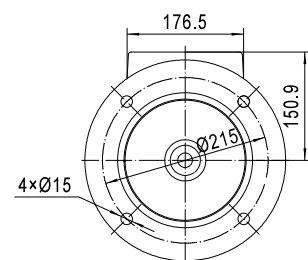
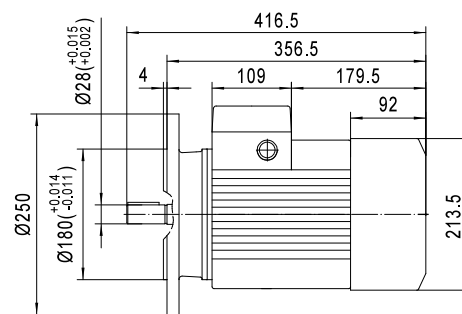
IM:B3



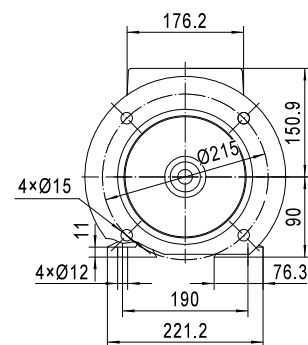
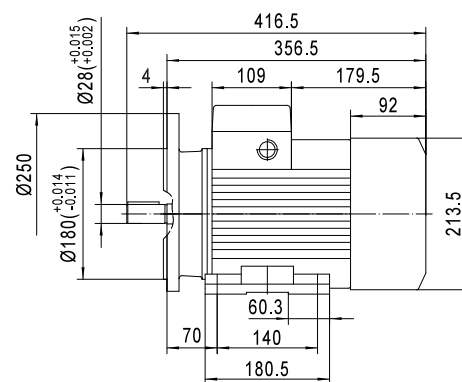
IM:B14



IM:B5

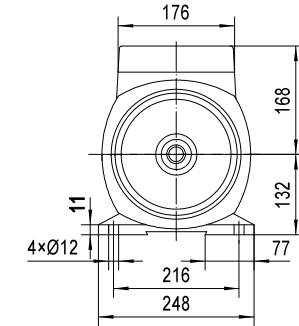
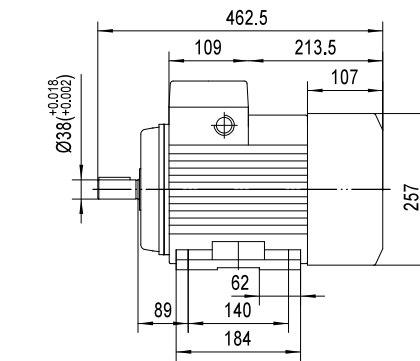


IM:B35

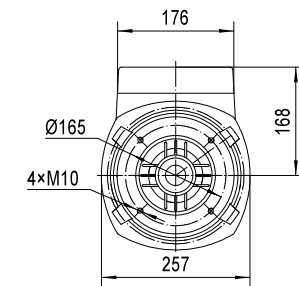
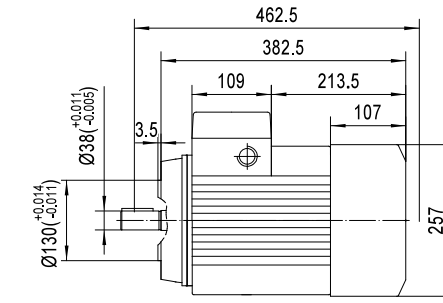


132 Center Height

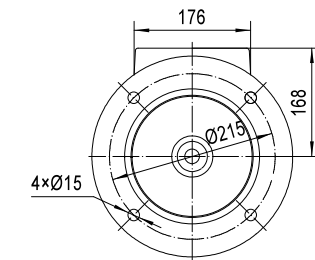
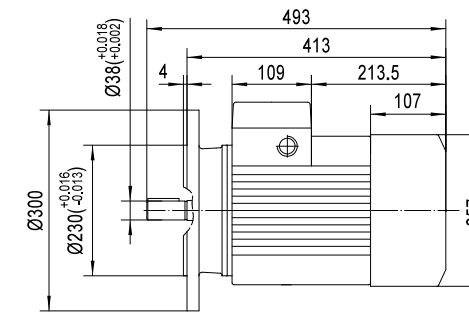
IM:B3



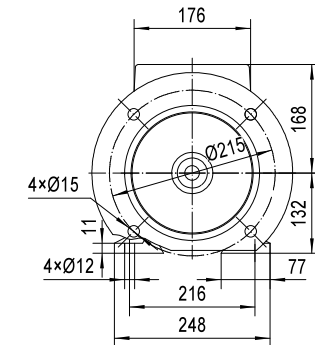
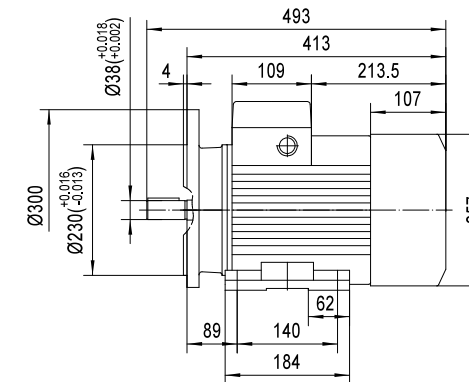
IM:B14



IM:B5



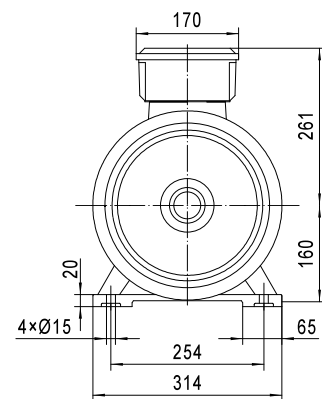
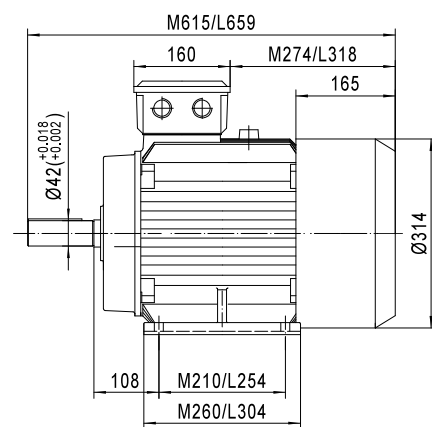
IM:B35



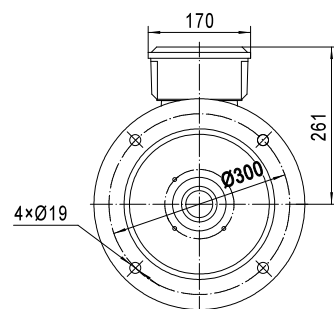
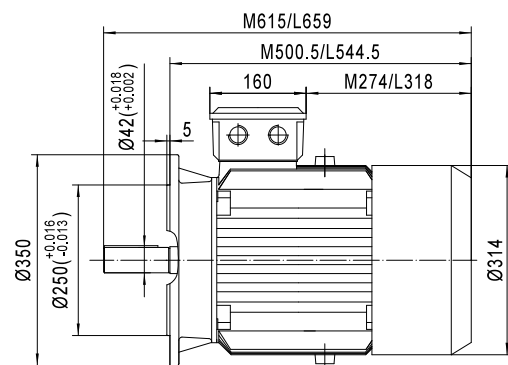
160 Center Hight



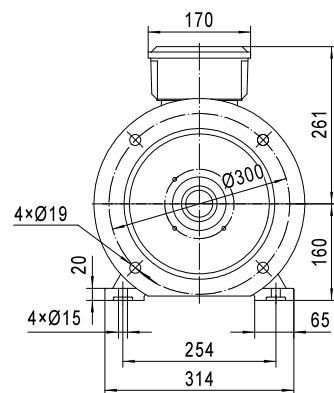
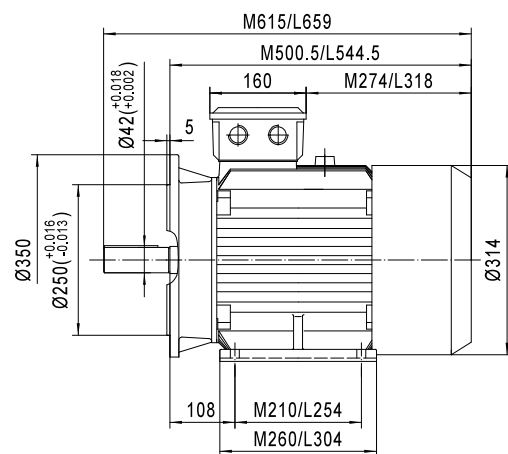
IM:B3



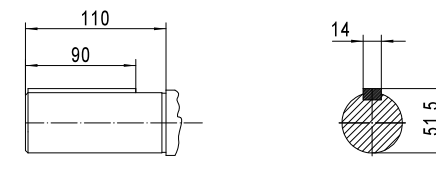
IM:B5



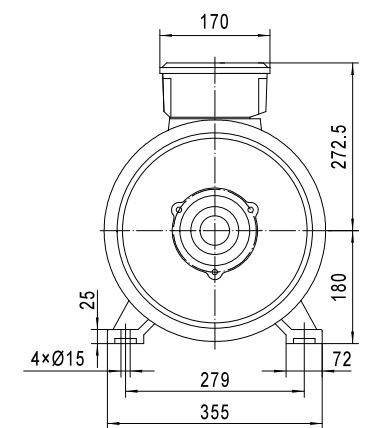
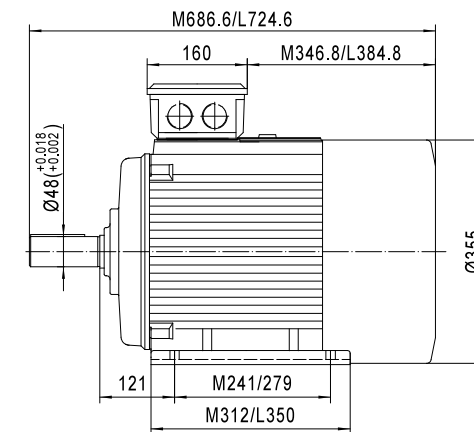
IM:B35



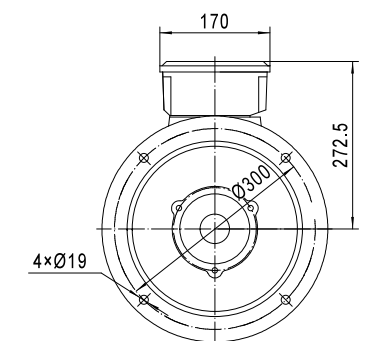
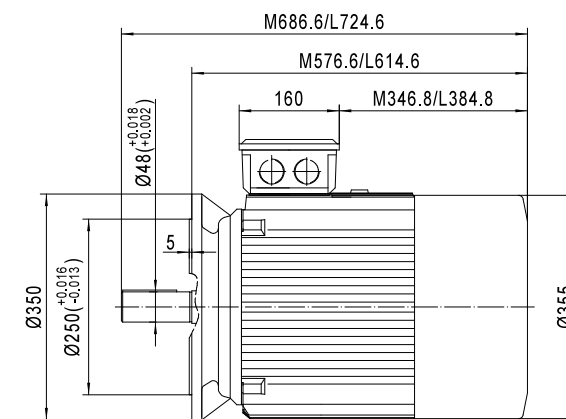
180 Center Hight



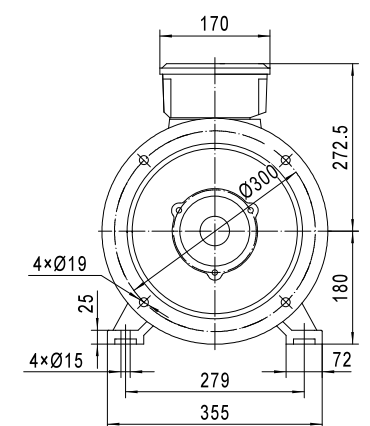
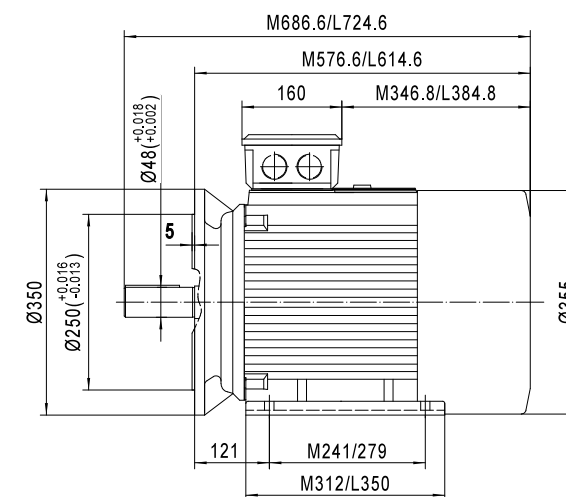
IM:B3



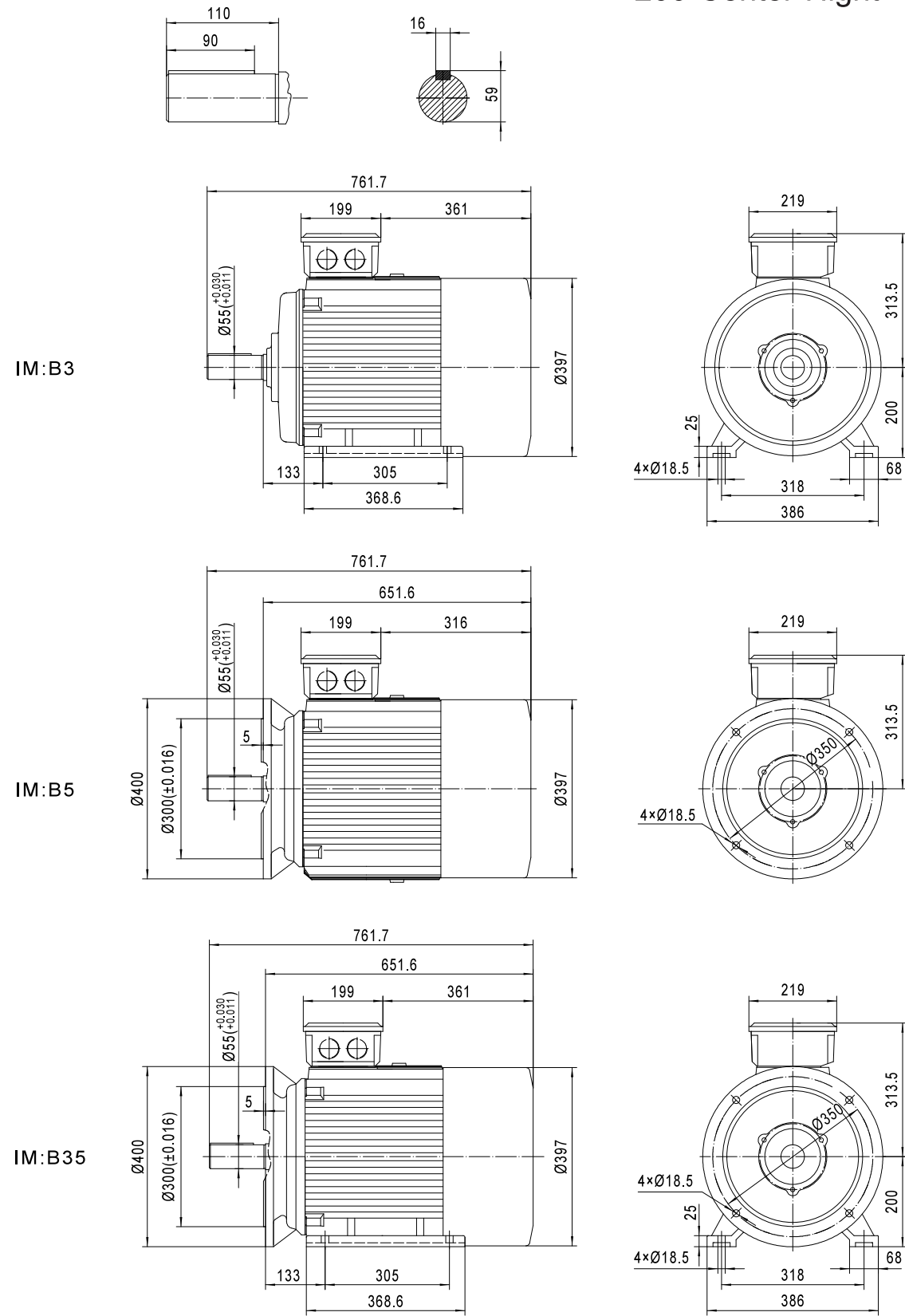
IM:B5



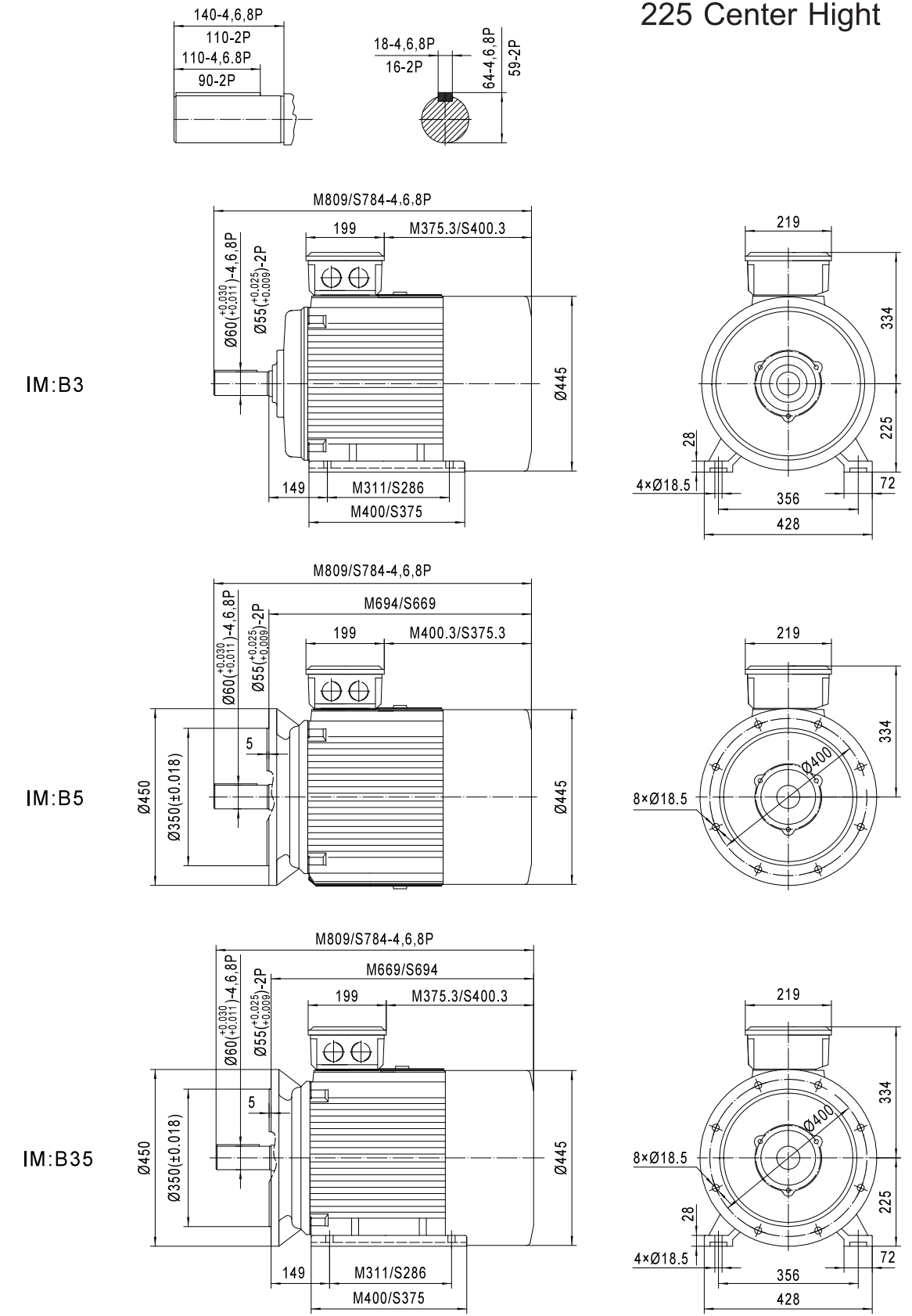
IM:B35



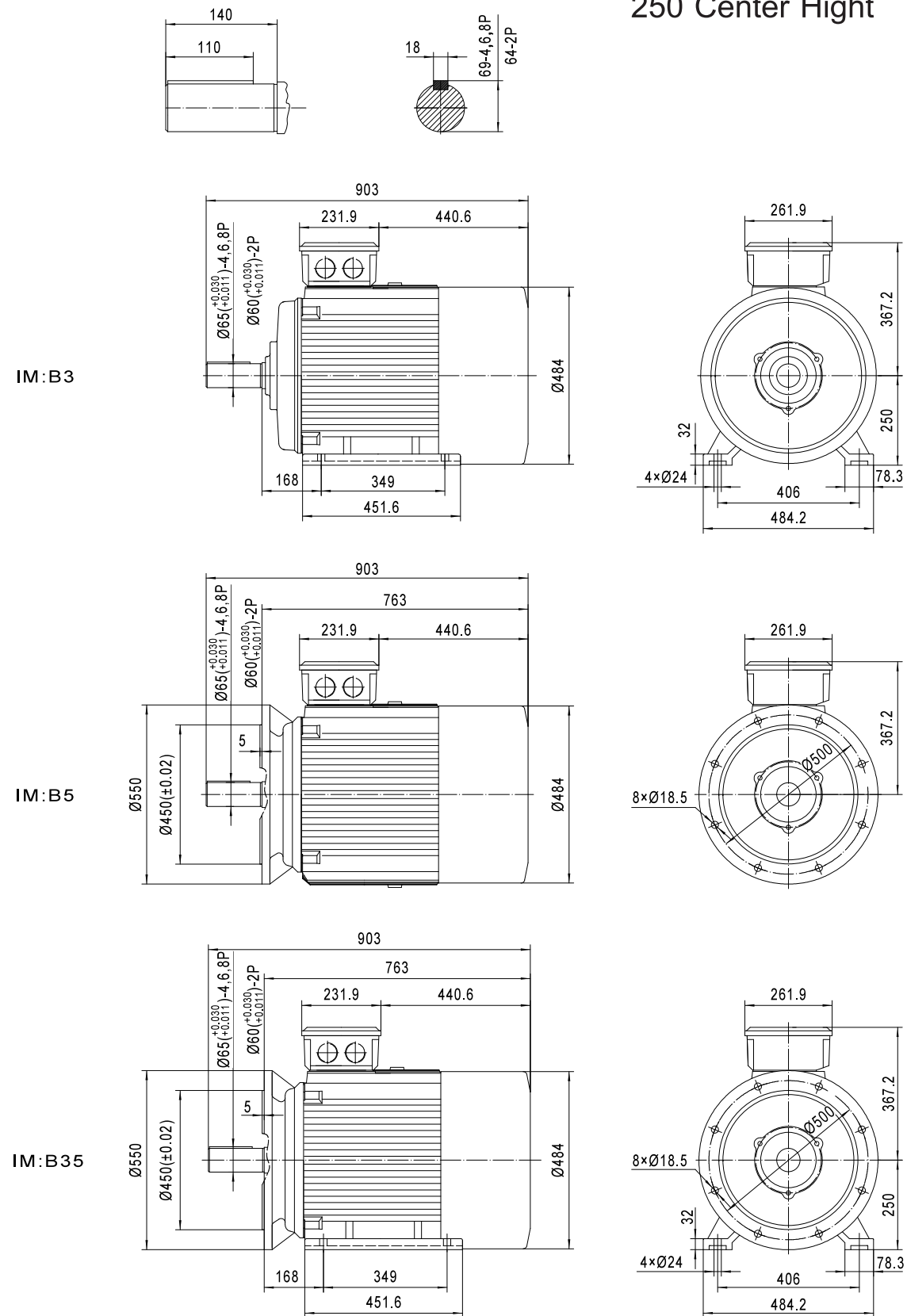
200 Center Hight



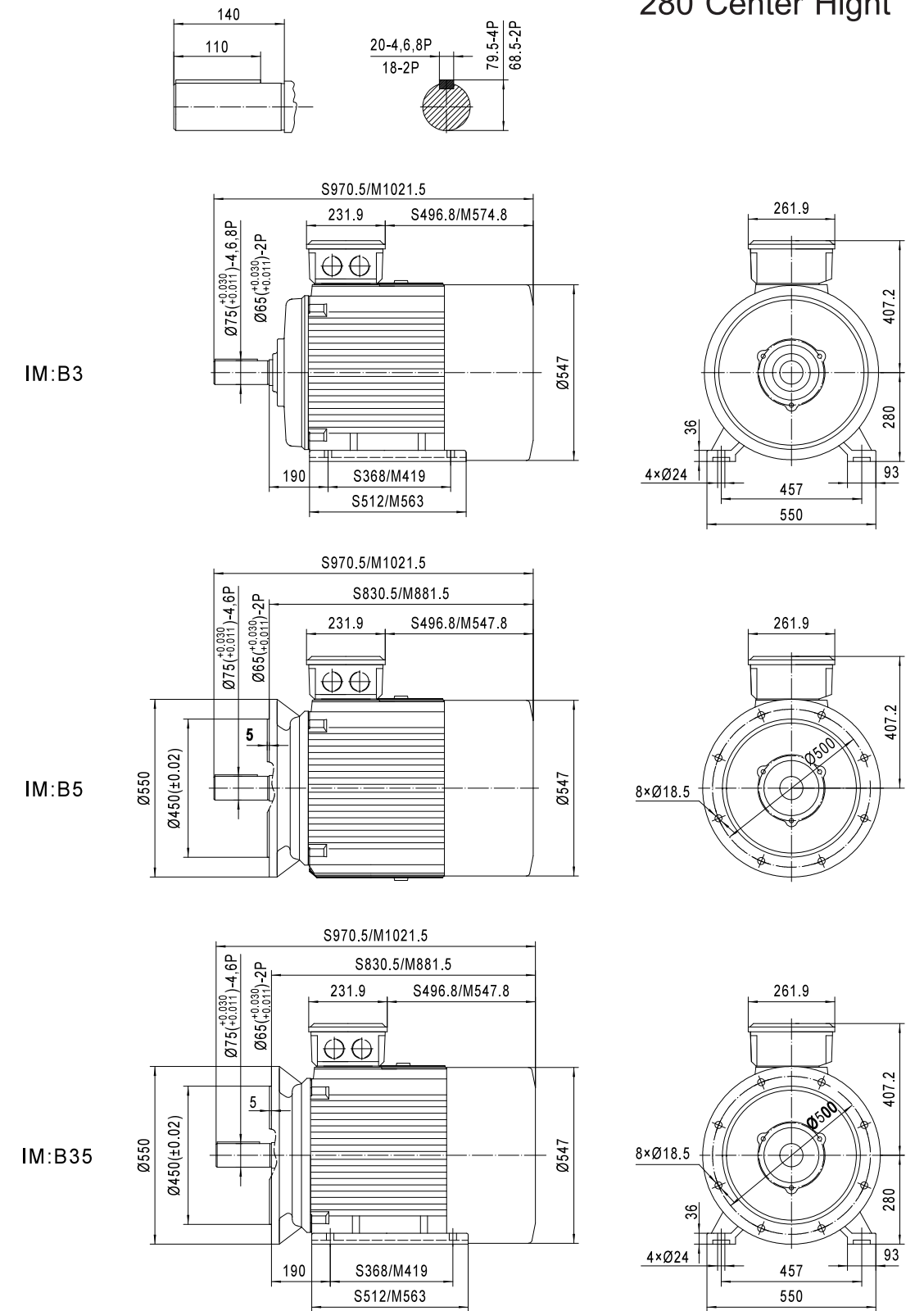
225 Center Hight



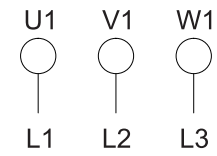
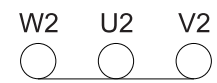
250 Center Hight



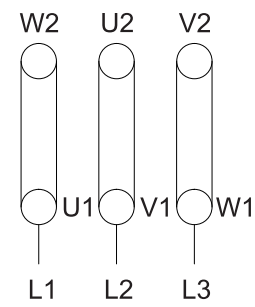
280 Center Hight



Wiring diagram



Connection: Y



Connection: Δ

Note: Y connection for 3KW and below, Δ connection for 4KW and above.

Thread specification of terminal box cables inlet

Frame Size	Thread of iron terminal box cables inlet	Thread of aluminum terminal box cables inlet
71~80	M20×1.5	M20×1.5
90~100	M25×1.5	M25×1.5
112~132	2-M25×1.5	M25×1.5
160~180	-	2-M32×1.5
200~225	-	2-M50×1.5
250~280	-	2-M63×1.5
315	-	2-M63×1.5
355	-	2-M72×1.5